
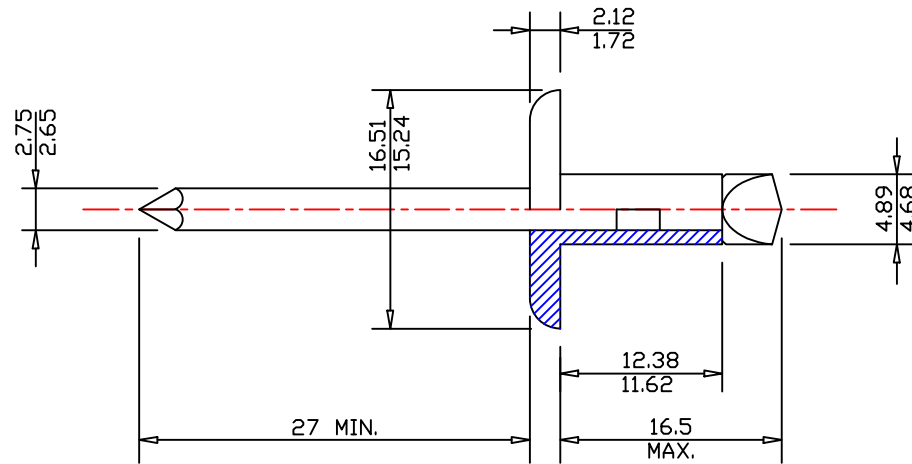


Part #: 1002312AB	Danner Distribution 3310 Ambrose Ave Nashville, TN 37207 Phone 615-262-7078 Fax 615-577-1158 sales@dannerdistribution.com		ECO #:	Sheet	Rev Level	Change Description	Date/User	Release
					B	RELEASED	4/25/06 JD	25 APR 06

SIMILAR TO EAD 65 BS LF



FORCE REQUIRED TO BREAK
MANDREL: 700 / 1000 LBS

GRIP RANGE 3.5/6.98
BORE HOLE 4.88/4.98

ALL DIMENSION IN MILLIMETERS

* NOTICE TO PERSONS RECEIVING THIS DRAWING AND/OR TECHNICAL INFORMATION *

Danner Distribution, Inc. claims proprietary rights to the material disclosed hereon. This drawing and or technical information is issued in confidence for engineering information only and may not be reproduced or used to manufacture anything shown or referred to hereon without direct written permission from Danner Distribution to the user. This drawing and/or technical information is the property of Danner Distribution and is loaned for the mutual assistance to be returned when its purpose has been served. This drawing and/or technical information is the property of Danner Distribution, Inc.

**DANNER
DISTRIBUTION,
Inc.**



Material: RIVET: 5050 ALUMINUM MANDREL: STEEL	Heat Treat: N/A	Plating: BLACK HEX FREE	Description: LARGE FLANGE ALUMINUM BLIND RIVET	Part #: 1002312AB
---	--------------------	----------------------------	---	----------------------